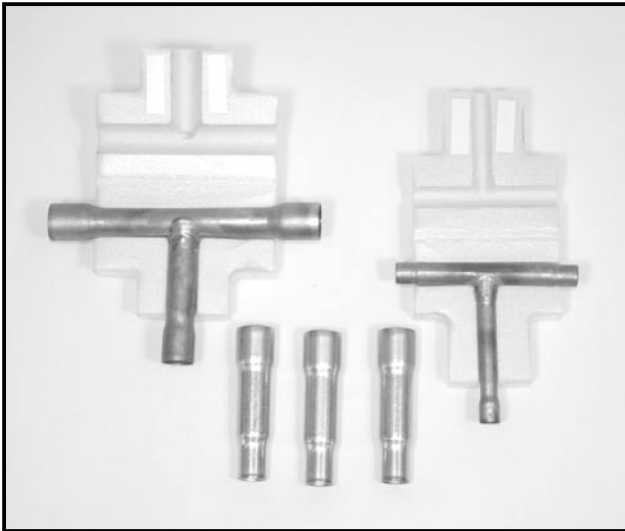




Photo



Descriptions

For double-branching of the refrigerant piping to connect 2 branch boxes. (Brazing type)

Applicable Models

- MXZ-8A140VA
- PAC-AK30BC
- PAC-AK50BC

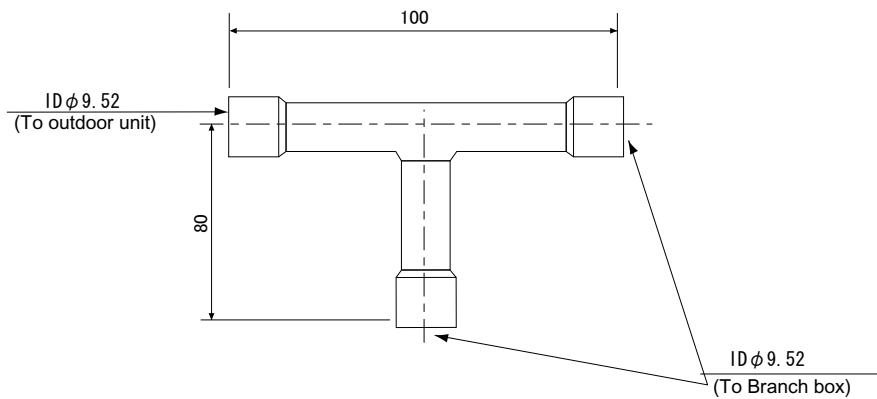
Specifications

TO BE CONFIRMED

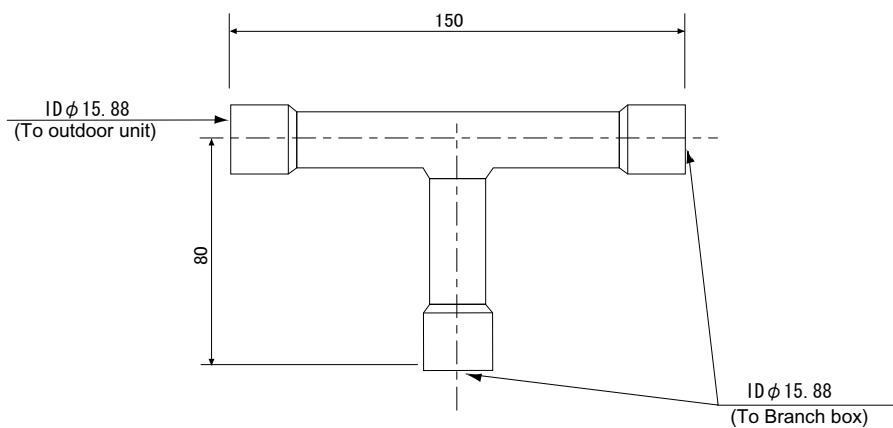
Dimensions

Unit : mm

LIQUID PIPE



GAS PIPE



How to Use / How to Install

2-BRANCH PIPE(JOINT) (MSDD-50BR-E)

※In case of 2 branch box connection for welding

Applicable model
MXZ-8A140VA(R410A type)
MXZ-7A140VC(R22 type)

The kit contains followings

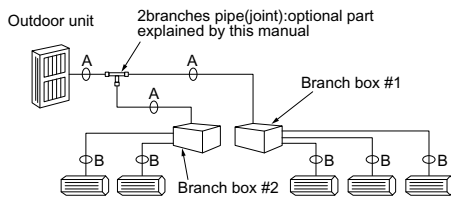
① Manual This one-sheet manual	② Liquid pipe (small: ϕ 9.52) X1	③ Gas pipe (large: ϕ 15.88) X1	④ Heat-insulation cover (small) X1	⑤ Heat-insulation cover (large) X1	⑥ Pipe (Gas pipe use: ϕ 15.88 \rightarrow ϕ 19.05) X3
-----------------------------------	--	--	---------------------------------------	---------------------------------------	--

Note: Besides these, please procure the following locally:
 (1) Tape for sealing the heat insulation covers.
 (2) Extension pipes for the refrigerant system.

During installation, be careful about the followings

- Note the limit length of the refrigerant pipe refer to the installation manual of outdoor unit and branch box.
- Note the limits for installing the indoor units refer to the installation manual of outdoor unit and branch box.
- Use solder in connecting any branch joint with any piping system or with the pipe. Insoldering, use oxygen-free solder.
- Each branch joint has a stopper.
 In connecting any pipe to any branch joint, thrust the pipe home till it clicks.
- In connecting pipes, take care not to let any dirt or other foreign matter enter any pipe.
- Put a heat insulator into every refrigerant pipe.

Outline of system and pipe size



(1) Outdoor unit: R410A type (MXZ-8A140VA)

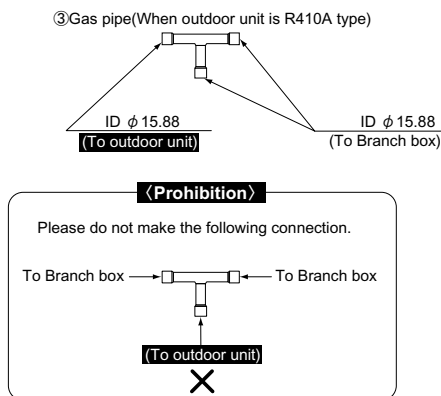
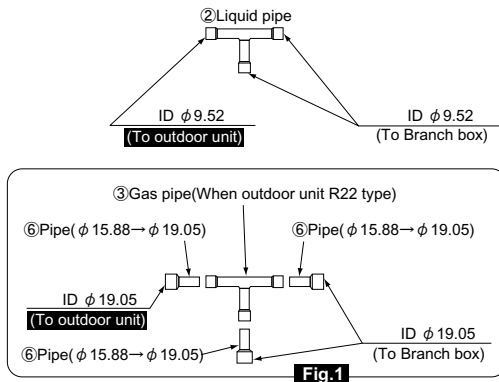
	A	B
Liquid(mm)	ϕ 9.52	Refer to installation manual of outdoor unit and branch box
Gas(mm)	ϕ 15.88	Refer to installation manual of outdoor unit and branch box

(2) Outdoor unit: R22 type (MXZ-7A140VC)

	A	B
Liquid(mm)	ϕ 9.52	Refer to installation manual of outdoor unit and branch box
Gas(mm)	ϕ 19.05	Refer to installation manual of outdoor unit and branch box

See the following for the specifications of liquid pipe, and gas pipe *

When outdoor unit is R22 type (MXZ-7A140VC), please connect three pipe ⑥ to Gas pipe ③ according to Fig.1.

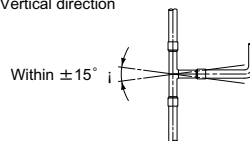


Installation direction of joint

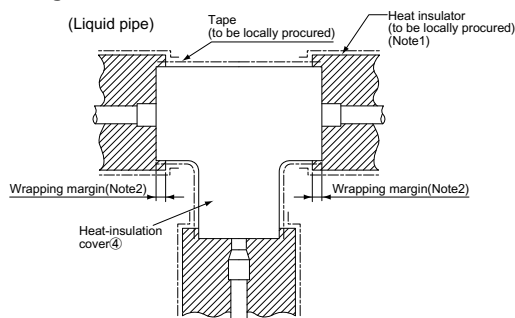
Horizontal direction



Vertical direction



Installing Heat Insulation Cover and Heat Insulators



• The liquid pipe (small) Make it fit the heat-insulation cover (small) . Seal the mating of the heat-insulation cover with the tape for sealing heat insulators (to be locally procured).

• Do the same with the gas pipe (large), using the heat-insulation cover (large), as with the liquid pipe (small).

Note 1 : Install a heat insulator on every part of the refrigerant pipes (to be locally procured).
 If you want to use commercially-available heat insulators, use heat-resistant heat insulators (at least 12mm thick).

Note 2 : The pipe covers shrink a little under high heat. Therefore, allow for some wrapping margin in the heat insulators.