

Air-Conditioners For Building Application INDOOR UNIT

PCFY-P·VKM-E

For use with the R410A
Bei Verwendung von R410A
A utiliser avec le R410A
Bij gebruik van R410A
Para utilizar con el R410A

Usó del refrigerante R410A
Για χρήση με τα R410
Para utilização com o R410A
R410A ile beraber kullanmak için
Для использования с моделями R410A

INSTALLATION MANUAL

For safe and correct use, read this manual and the outdoor unit installation manual thoroughly before installing the air-conditioner unit.

FOR INSTALLER

INSTALLATIONSHANDBUCH

Aus Sicherheitsgründen und zur richtigen Anwendung vor Installation der Klimaanlage die vorliegende Bedienungsanleitung und das Installationshandbuch gründlich durchlesen.

FÜR INSTALLATEURE

MANUEL D'INSTALLATION

Avant d'installer le climatiseur, lire attentivement ce manuel, ainsi que le manuel d'installation de l'appareil extérieur pour une utilisation sûre et correcte.

POUR L'INSTALLATEUR

INSTALLATIEHANDLEIDING

Lees deze handleiding en de installatiehandleiding van het buitenapparaat zorgvuldig door voordat u met het installeren van de airconditioner begint.

VOOR DE INSTALLATEUR

MANUAL DE INSTALACIÓN

Para un uso seguro y correcto, lea detalladamente este manual de instalación antes de montar la unidad de aire acondicionado.

PARA EL INSTALADOR

MANUALE DI INSTALLAZIONE

Per un uso sicuro e corretto, prima di installare il condizionatore d'aria leggere attentamente il presente manuale ed il manuale d'installazione dell'unità esterna.

PER L'INSTALLATORE

ΕΓΧΕΙΡΙΔΙΟ ΟΔΗΓΙΩΝ ΕΓΚΑΤΑΣΤΑΣΗΣ

Για σωστή και ασφαλή χρήση, διαβάστε προσεκτικά αυτό το εγχειρίδιο, καθώς και το εγχειρίδιο εγκατάστασης της εξωτερικής μονάδας, πριν από την εγκατάσταση της μονάδας κλιματιστικού.

ΓΙΑ ΑΥΤΟΝ ΠΟΥ ΚΑΝΕΙ ΤΗΝ ΕΓΚΑΤΑΣΤΑΣΗ

MANUAL DE INSTALAÇÃO

Para uma utilização segura e correcta, leia atentamente este manual e o manual de instalação da unidade exterior antes de instalar o aparelho de ar condicionado.

PARA O INSTALADOR

MONTAJ ELKİTABI

Emniyetli ve doğru kullanım için, klima cihazını monte etmeden önce bu kılavuzu ve dış ünite montaj kılavuzunu tamamiyle okuyun.

MONTÖR İÇİN

РУКОВОДСТВО ПО УСТАНОВКЕ

Для обеспечения безопасной и надлежащей эксплуатации внимательно прочтите данное руководство и руководство по установке наружного прибора перед установкой кондиционера.

ДЛЯ УСТАНОВИТЕЛЯ

English (GB)

Deutsch (D)

Français (F)

Nederlands (NL)

Español (E)

Italiano (I)

Ελληνικά (GR)

Português (P)

Türkçe (TR)

Русский (RU)

Contents

1. Safety precautions.....	2	5. Drainage piping work.....	5
2. Installation location.....	2	6. Electrical work.....	5
3. Installing the indoor unit.....	2	7. Test run (Fig. 7-1).....	7
4. Installing the refrigerant piping.....	4		

Note:
The phrase "Wired remote controller" in this installation manual refers only to the PAR-21MAA.
If you need any information for the other remote controller, please refer to either the installation manual or initial setting manual which are included in these boxes.

1. Safety precautions

- ▶ Before installing the unit, make sure you read all the "Safety precautions".
- ▶ Please report to your supply authority or obtain their consent before connecting this equipment to the power supply system.

Warning:
Describes precautions that must be observed to prevent danger of injury or death to the user.

Caution:
Describes precautions that must be observed to prevent damage to the unit.

After installation work has been completed, explain the "Safety Precautions," use, and maintenance of the unit to the customer according to the information in the Operation Manual and perform the test run to ensure normal operation. Both the Installation Manual and Operation Manual must be given to the user for keeping. These manuals must be passed on to subsequent users.

- Warning:**
- Ask the dealer or an authorized technician to install the air conditioner.
 - Install the unit at a place that can withstand its weight.
 - Use only specified cables for wiring. The wiring connections must be made securely with no tension applied on the terminal connections. Also, never splice the cables for wiring (unless otherwise indicated in this document). Failure to observe these instructions may result in overheating or a fire.
 - Use only accessories authorized by Mitsubishi Electric and ask the dealer or an authorized technician to install them.
 - Do not touch the heat exchanger fins.
 - Install the air conditioner according to this Installation Manual.
 - Have all electric work done by a licensed electrician according to local regulations.
 - If the air conditioner is installed in a small room, measures must be taken to prevent the refrigerant concentration from exceeding the safety limit even if the refrigerant should leak.

- Caution:**
- Do not use the existing refrigerant piping, when use R410A refrigerant.
 - Use ester oil, either oil or alkylbenzene (small amount) as the refrigerant oil to coat flares and flange connections, when use R410A refrigerant.
 - Do not use the air conditioner where food, pets, plants, precision instruments, or artwork are kept.
 - Do not use the air conditioner in special environments.
 - Ground the unit.

- ⊘ : Indicates an action that must be avoided.
- ⚠ : Indicates that important instructions must be followed.
- ⚡ : Indicates a part which must be grounded.
- ⚠ : Indicates that caution should be taken with rotating parts.
- ⚠ : Indicates that the main switch must be turned off before servicing.
- ⚡ : Beware of electric shock.
- ⚠ : Beware of hot surface.
- ⚠ ELV : At servicing, please shut down the power supply for both the Indoor and Outdoor Unit.

Warning:
Carefully read the labels affixed to the main unit.

- If the supply cord is damaged, it must be replaced by the manufacturer, its service agent or similarly qualified persons in order to avoid a hazard.
- The appliance shall be installed in accordance with national wiring regulations.
- The cut face punched parts may cause injury by cut, etc. The installers are requested to wear protective equipment such as gloves, etc.
- When installing or relocating, or servicing the outdoor unit, use only the specified refrigerant (R410A) to charge the refrigerant lines. Do not mix it with any other refrigerant and do not allow air to remain in the lines. If air is mixed with the refrigerant, then it can be the cause of abnormal high pressure in the refrigerant line, and may result in an explosion and other hazards. The use of any refrigerant other than that specified for the system will cause mechanical failure or system malfunction or unit breakdown. In the worst case, this could lead to a serious impediment to securing product safety.

- Install an leak circuit breaker, as required.
- Use power line cables of sufficient current carrying capacity and rating.
- Use only a circuit breaker and fuse of the specified capacity.
- Do not touch the switches with wet fingers.
- Do not touch the refrigerant pipes during and immediately after operation.
- Do not operate the air conditioner with the panels and guards removed.
- Do not turn off the power immediately after stopping operation.

2. Installation location

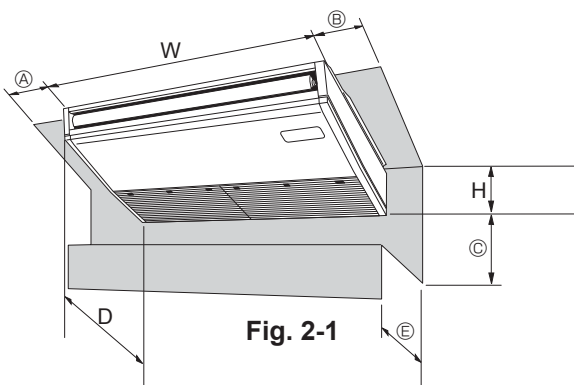


Fig. 2-1

2.1. Outline dimensions (Indoor unit) (Fig. 2-1)

Select a proper position allowing the following clearances for installation and maintenance. (mm)

Models	W	D	H	A	B	C	E
P40	960	680	230	Min. 270	Min. 300	Min. 500	Max. 250
P63	1280	680	230	Min. 270	Min. 300	Min. 500	Max. 250
P100	1600	680	230	Min. 270	Min. 300	Min. 500	Max. 250
P125	1600	680	230	Min. 270	Min. 300	Min. 500	Max. 250

Warning:
Mount the indoor unit on a ceiling strong enough to withstand the weight of the unit.

2.2. Outline dimensions (Outdoor unit)

Refer to the outdoor unit installation manual.

3. Installing the indoor unit

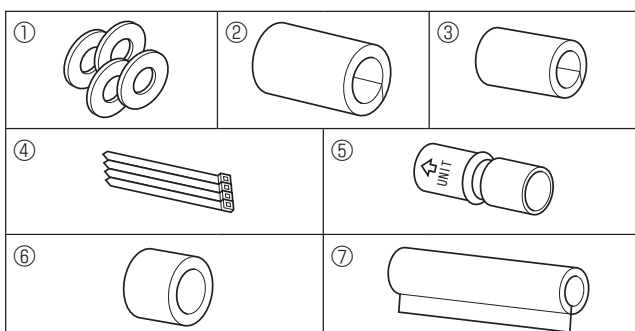


Fig. 3-1

3.1. Check the indoor unit accessories (Fig. 3-1)

The indoor unit should be supplied with the following accessories (contained in the inside of the intake grille).

	Accessory name	Q'ty
①	Washer	4 pcs
②	Pipe cover	1 pc Large size (For gas tubing)
③	Pipe cover	1 pc Small size (For liquid tubing)
④	Band	4 pcs
⑤	Joint socket	1 pc Marked with "UNIT"
⑥	Socket cover	1 pc
⑦	Drain tubing cover	1 pc

3. Installing the indoor unit

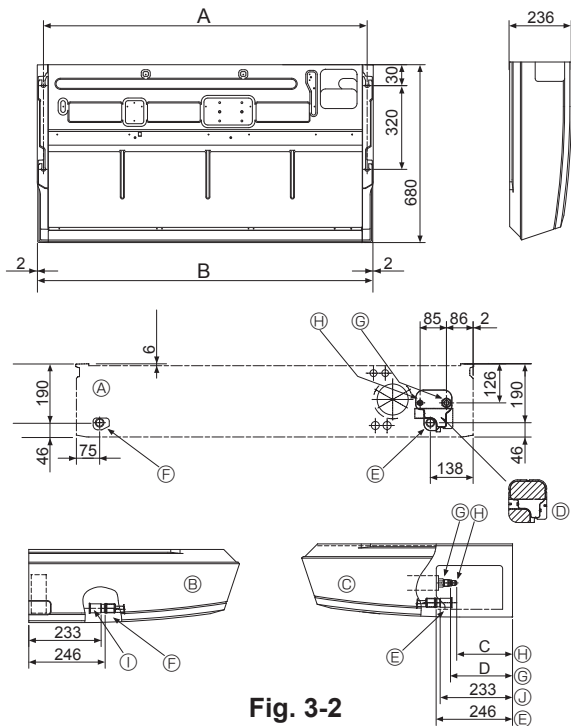


Fig. 3-2

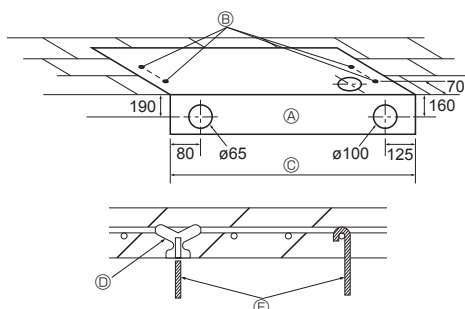


Fig. 3-3

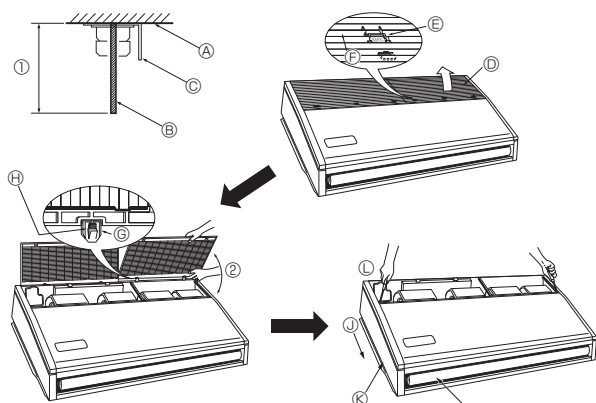


Fig. 3-4

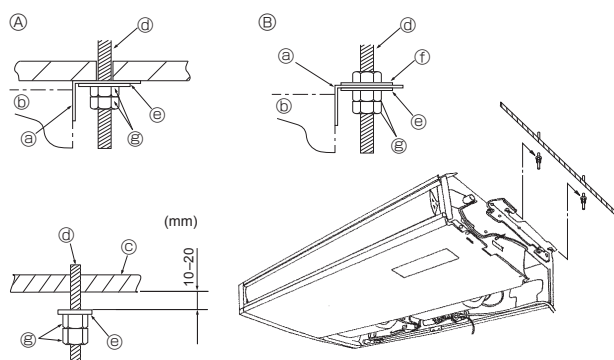


Fig. 3-5

3.2. Preparation for installation (Fig. 3-2)

3.2.1. Suspension bolt installing spacing

Models	A	B
P40	917	960
P63	1237	1280
P100,125	1557	1600

3.2.2. Refrigerant and drain tubing location

Models	C	D
P40	184	203
P63	180	200
P100,125	180	200

- Ⓐ Front side outlet
- Ⓑ Left side outlet
- Ⓒ Right side outlet
- Ⓓ Independent piece (Removable)
- Ⓔ Right drain tubing
- Ⓕ Left drain tubing
- Ⓖ Gas tubing
- Ⓗ Liquid tubing
- Ⓘ Rubber plug
- Ⓝ with Joint socket

3.2.3. Selection of suspension bolts and tubing positions (Fig. 3-3)

Using the pattern paper provided for installation, select proper positions for suspension bolts and tubing and prepare relative holes.

- Ⓐ Pattern paper
- Ⓑ Suspension bolt hole
- Ⓒ Indoor unit width

Secure the suspension bolts or use angle stock braces or square timbers for bolt installation.

- Ⓓ Use inserts of 100 kg to 150 kg each.
- Ⓔ Use suspension bolts of W3/8 or M10 in size.

3.2.4. Indoor unit preparation (Fig. 3-4)

- Install the suspending bolts. (Procure the W3/8 or M10 bolts locally.)
Predetermine the length from the ceiling (Ⓘ within 100 mm).
Ⓐ Ceiling surface Ⓑ Suspending bolt Ⓒ Suspending bracket
- Remove the intake grille.
Slide the intake grille holding knobs (at 2 or 3 locations) backward to open the intake grille.
- Remove the side panel.
Remove the side panel holding screws (one in each side, right and left) then slide the side panel forward for removal.
Ⓓ Intake grille Ⓝ Slide the side panel forward.
Ⓔ Intake grille holding knob Ⓞ Side panel
Ⓛ Slide Ⓚ Remove the side panel holding screws.
Ⓜ Remove the protective vinyl of vane.
Ⓢ Pushing the hinge, pull out the intake grille.
Ⓜ Forcing open the intake grille or opening it to an angle of more than 120° may damage the hinges.

3.3. Installing the indoor unit (Fig. 3-5)

Use a proper suspending method depending on the presence or absence of ceiling materials as follows.

- Ⓐ In the presence of ceiling materials
- Ⓑ In the absence of ceiling materials
- Ⓒ Ceiling
- Ⓓ Suspending bolt
- Ⓔ Suspending bracket
- Ⓚ Washer
- Ⓛ Washer (Local procurement)
- Ⓜ Double nuts

1) Directly suspending the unit

Installing procedures

- Install the washer Ⓚ (supplied with the unit) and the nuts (to be locally procured).
 - Set (hook) the unit through the suspending bolts.
 - Tighten the nuts.
- Check the unit installing condition.
- Check that the unit is horizontal between the right and left sides.
 - Check that the front and the rear of suspending brackets are horizontal.
(To keep drainage, the unit is inclined to the suspending brackets. The unit slopes continuously downward from the front to the rear is the right installation position.)

3. Installing the indoor unit

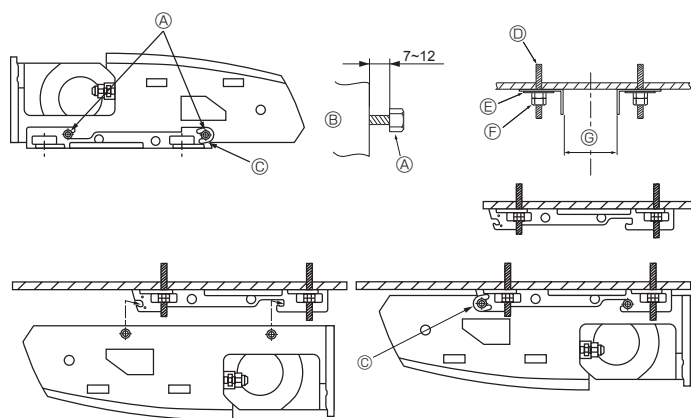


Fig. 3-6

2) Installing the suspending bracket first onto the ceiling (Fig. 3-6)

Installing procedures

1. Remove the suspending bracket holding bolts on the unit.
2. Adjust the suspending bracket and U-shaped washers from the unit.
3. Attach the suspending brackets to the suspending bolts.
4. Check that the suspending brackets are horizontal (front and rear/right and left).
5. Set (hook) the unit to the suspending brackets.
6. Tighten fixed bolts of the suspending brackets.

* Be sure to install the U-shaped washers.

- Ⓐ Suspending bracket holding bolt
- Ⓑ Unit
- Ⓒ U-shaped washer
- Ⓓ Suspending bolt
- Ⓔ Washer ①
- Ⓕ Double nuts

	(mm)	
Ⓒ P40	882 - 887	
P63	1202 - 1207	
P100, P125	1522 - 1527	

4. Installing the refrigerant piping

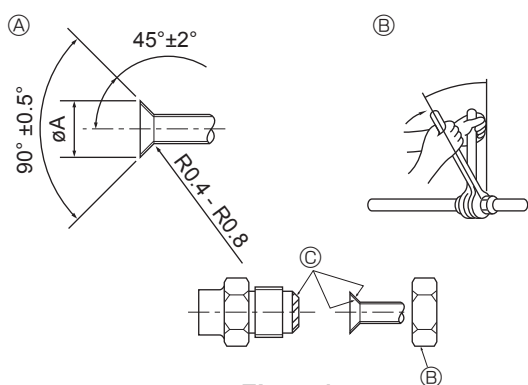


Fig. 4-1

4.1. Connecting pipes (Fig. 4-1)

- When commercially available copper pipes are used, wrap liquid and gas pipes with commercially available insulation materials (heat-resistant to 100 °C or more, thickness of 12 mm or more).
- The indoor parts of the drain pipe should be wrapped with polyethylene foam insulation materials (specific gravity of 0.03, thickness of 9 mm or more).
- Apply thin layer of refrigerant oil to pipe and joint seating surface before tightening flare nut.
- Use two wrenches to tighten piping connections.
- Use refrigerant piping insulation provided to insulate indoor unit connections. Insulate carefully.

⚠ **Warning:**

When installing the unit, securely connect the refrigerant pipes before starting the compressor.

Ⓐ Flare cutting dimensions

Copper pipe O.D. (mm)	Flare dimensions øA dimensions (mm)
ø6.35	8.7 - 9.1
ø9.52	12.8 - 13.2
ø12.7	16.2 - 16.6
ø15.88	19.3 - 19.7
ø19.05	22.9 - 23.3

Ⓑ Refrigerant pipe sizes & Flare nut tightening torque

	R410A				Flare nut O.D.	
	Liquid pipe		Gas pipe		Liquid pipe (mm)	Gas pipe (mm)
	Pipe size (mm)	Tightening torque (N.m)	Pipe size (mm)	Tightening torque (N.m)		
P40	ODø6.35 (1/4")	14 - 18	ODø12.7 (1/2")	49 - 61	17	26
P63	ODø9.52 (3/8")	34 - 42	ODø15.88 (5/8")	68 - 82	22	29
P100/125	ODø9.52 (3/8")	34 - 42	ODø15.88 (5/8")	68 - 82	22	29

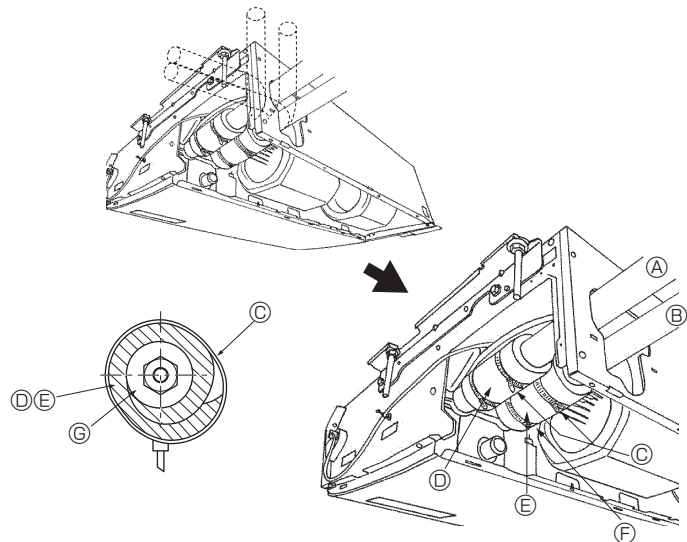


Fig. 4-2

Ⓒ Apply refrigerating machine oil over the entire flare seat surface.

4.2. Indoor unit (Fig. 4-2)

Installing procedures

1. Slide the supplied pipe cover ② over the gas tubing until it is pressed against the sheet metal inside the unit.
2. Slide the provided pipe cover ③ over the liquid tubing until it is pressed against the sheet metal inside the unit.
3. Tighten the pipe covers ② and ③ at the both ends (20 mm) with the supplied bands ④.

- Ⓐ Gas tubing
- Ⓑ Liquid tubing
- Ⓒ Band ④
- Ⓓ Pipe cover ②
- Ⓔ Pipe cover ③
- Ⓕ Press the pipe cover against the sheet metal.
- Ⓖ Refrigerant tubing heat insulating material

5. Drainage piping work

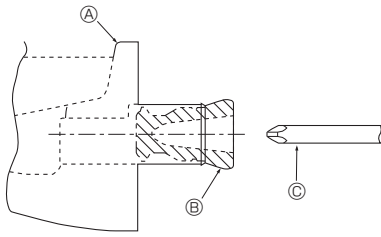


Fig. 5-1

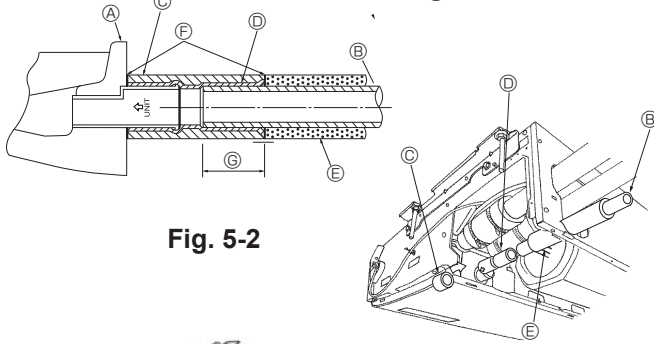


Fig. 5-2

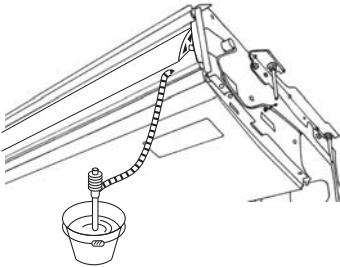


Fig. 5-3

- For left side tubing, be sure to insert the rubber plug into the right drain port. (Fig. 5-1)
- Use VP-20 (O.D. $\varnothing 26$ (1") PVC TUBE) for drain piping and provide 1/100 or more downward slope.
- After completion of work, check that correct drain is available from the outflow port of the drain tubing.

- Ⓐ Drain pan
- Ⓑ Plug
- Ⓒ Insert the driver etc. in the plug deeply.

Installing procedures (Fig. 5-2)

1. Attach the joint socket ⑤ supplied with the unit to the drain port on the unit with a vinyl chloride adhesive.
2. Fasten the socket cover ⑥ supplied with the unit to the joint socket ⑤.
3. Attach the field drain tubing (VP-20) to the joint socket ⑤ with a vinyl chloride adhesive.
4. Wrap the drain tubing cover ⑦ supplied with the unit. (Seam taping)

- Ⓐ Drain pan
- Ⓑ Drain tubing
- Ⓒ Socket cover ⑥
- Ⓓ Joint socket ⑤
- Ⓔ Drain tubing cover ⑦
- Ⓕ Stopper
- Ⓖ Insertion length 37mm

5. Check for correct drainage. (Fig. 5-3)

* Fill the drain pan with water of about 1 L from the air outlet.

6. Electrical work

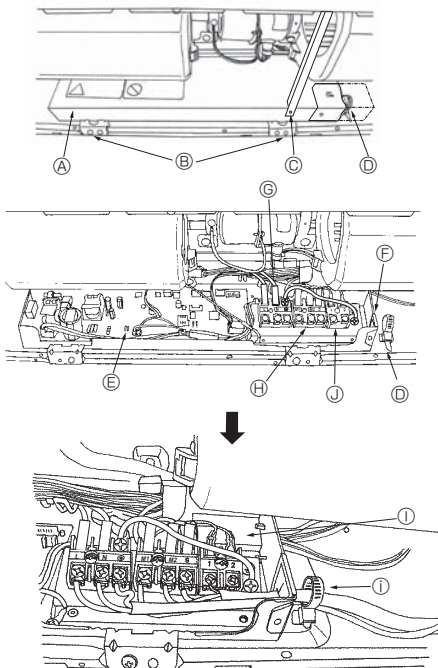


Fig. 6-1

6.1. Electric wiring (Fig. 6-1)

Wiring procedures

1. Remove the tapping screw ③ then remove the beam.
2. Remove the (2) tapping screws ② then remove the electric part cover ①.
3. Connect the electric wires securely to the corresponding terminals.
4. Replace the removed parts.
5. Tie the electric wires with the local wiring clamp located in the right side of the junction box.

A means for the disconnection of the supply with an isolation switch, or similar device, in all active conductors shall be incorporated in the fixed wiring.

* Label each breaker according to purpose (heater, unit etc.)

- Ⓐ Cover
- Ⓑ Set screws (2 pcs)
- Ⓒ Set screws (Beam)
- Ⓓ Wiring clamp
- Ⓔ Control board
- Ⓕ Wire service entrance
- Ⓖ Terminal block for power supply
- Ⓗ Terminal block for transmission cable
- Ⓙ Address board
- Ⓚ Terminal block for MA Remote controller
- Ⓛ Secure with the wiring clamp.

6.2. Power supply wiring

- Wiring size must comply with the applicable local and national codes.
- Install an earth line longer than other cables.
- Power supply codes of appliance shall not be lighter than design 60245 IEC 53 or 60227 IEC 53.
- A switch with at least 3 mm contact separation in each pole shall be provided by the air conditioner installation.

Power cable size : more than 1.5mm² (3-core)

⚠ Warning:

Never splice the power cable or the indoor-outdoor connection cable, otherwise it may result in a smoke, a fire or communication failure.

► Use earth leakage breaker (NV).

For breaker, means shall be provided to ensure disconnection of all active phase conductors of the supply.

6. Electrical work

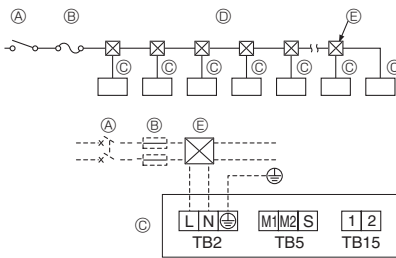


Fig. 6-2

[Fig.6-2]

- Ⓐ Switch 16 A
- Ⓑ Overcurrent protection 16 A
- Ⓒ Indoor unit
- Ⓓ Total operating current be less than 16 A
- Ⓔ Pull box

6.3. Types of control cables

1. Wiring transmission cables

Types of transmission cable	Shielding wire CVVS or CPEVS
Cable diameter	More than 1.25 mm ²
Length	Less than 200m

2. M-NET Remote control cables

Types of remote control cable	Shielding wire MVVS
Cable diameter	0.5 to 1.25 mm ²
Length	Add any portion in excess of 10m to within the longest allowable transmission cable length 200m

3. MA Remote control cables

Types of remote control cable	2-core cable (unshielded)
Cable diameter	0.3 to 1.25 mm ²
Length	Less than 200m

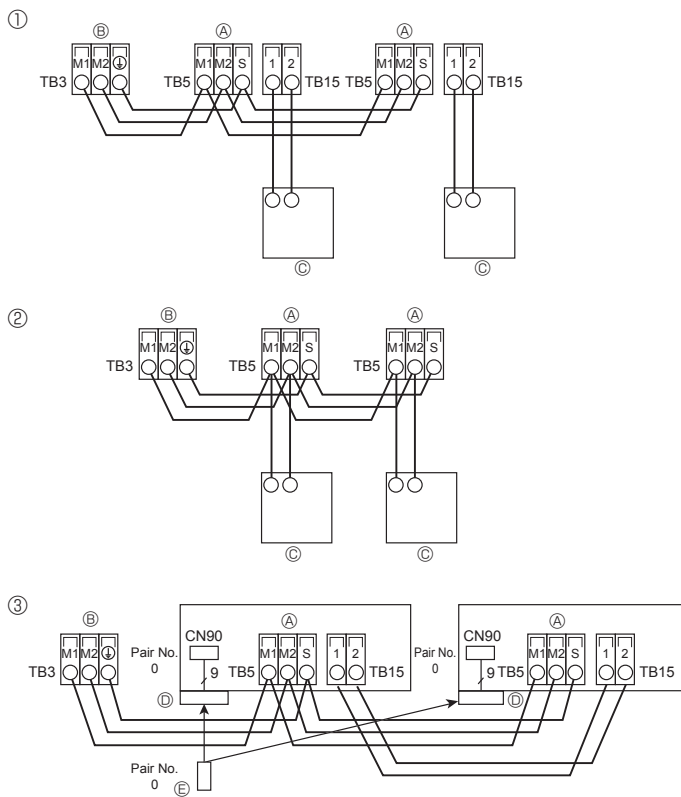


Fig. 6-3

6.4. Connecting remote controller, indoor and outdoor transmission cables (Fig. 6-3)

- Connect indoor unit TB5 and outdoor unit TB3. (Non-polarized 2-wire)
The "S" on indoor unit TB5 is a shielding wire connection. For specifications about the connecting cables, refer to the outdoor unit installation manual.
- Install a remote controller following the manual supplied with the remote controller.
- Connect the remote controller's transmission cable within 10 m using a 0.75 mm² core cable. If the distance is more than 10 m, use a 1.25 mm² junction cable.
- ① MA Remote controller
 - Connect the "1" and "2" on indoor unit TB15 to a MA remote controller. (Non-polarized 2-wire)
 - DC 9 to 13 V between 1 and 2 (MA remote controller)
- ② M-NET Remote controller
 - Connect the "M1" and "M2" on indoor unit TB5 to a M-NET remote controller. (Non-polarized 2-wire)
 - DC 24 to 30 V between M1 and M2 (M-NET remote controller)
- ③ Wireless remote controller(When installing wireless signal receiver)
 - Connect the wire of wireless signal receiver (9-pole cable) to CN90 of indoor controller board.
 - When more than two units are run under group control using wireless remote controller, connect TB15 each with the same number.
 - To change Pair No. setting, refer to installation manual attached to wireless remote controller. (In initial setting of indoor unit and wireless remote controller, Pair No. is 0.)

- Ⓐ Terminal block for indoor transmission cable
- Ⓑ Terminal block for outdoor transmission cable(M1(A), M2(B), Ⓣ(S))
- Ⓒ Remote controller
- Ⓓ wireless signal receiver
- Ⓔ wireless remote controller

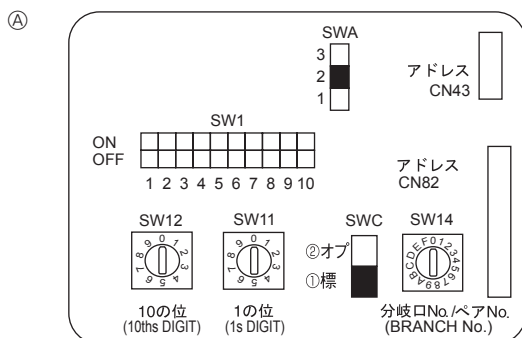


Fig. 6-4

6.5. Setting addresses (Fig. 6-4)

(Be sure to operate with the main power turned OFF.)

- There are 2 types of rotary switch setting available: setting addresses 1 to 9 and over 10, and setting branch numbers.

① How to set addresses

Example: If Address is "3", remain SW12 (for over 10) at "0", and match SW11 (for 1 to 9) with "3".

② How to set branch numbers SW14 (Series R2 only)

Match the indoor unit's refrigerant pipe with the BC controller's end connection number.

Remain other than series R2 at "0".

- The rotary switches are all set to "0" when shipped from the factory. These switches can be used to set unit addresses and branch numbers at will.
- The determination of indoor unit addresses varies with the system at site. Set them referring to the Data Book.

- Ⓐ Address board

6. Electrical work

6.6. Switch setting for different ceiling heights (Fig.6-4)

With this unit, the air flow rate and fan speed can be adjusted by setting the SWA (slide switch). Select a suitable setting from the table below according to the installation location.

* Make sure the SWA switch is set, otherwise problems such as not getting cool/warm may occur.

SWA	3 (high ceiling)	2 (standard)	1 (silent)
P40, P63	3.5 m	2.7 m	2.5 m
P100, P125	4.2 m	3.0 m	2.6 m

SWA: Initial setting: 2 (Standard)

7. Test run (Fig. 7-1)

7.1. Before test run

- ▶ After completing installation and the wiring and piping of the indoor and outdoor units, check for refrigerant leakage, looseness in the power supply or control wiring, wrong polarity, and no disconnection of 1 phase in the supply.
- ▶ Use a 500-volt megohmmeter to check that the resistance between the power supply terminals and ground is at least 1.0 MΩ.

- ▶ Do not carry out this test on the control wiring (low voltage circuit) terminals.

⚠ Warning:

Do not use the air conditioner if the insulation resistance is less than 1.0 MΩ.

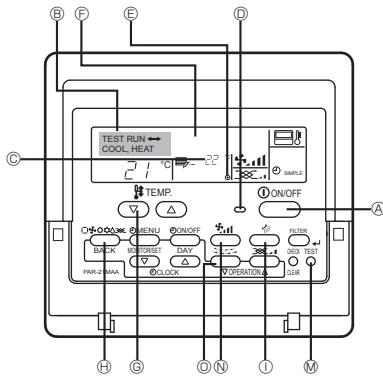


Fig. 7-1

Note:

- If an error code is displayed on the remote controller or if the air conditioner does not operate properly, refer to the outdoor unit installation manual or other technical materials.
- The OFF timer is set for the test run to automatically stop after 2 hours.
- During the test run, the time remaining is shown in the time display.
- During the test run, the temperature of the indoor unit refrigerant pipes is shown in the room temperature display of the remote controller.
- When the VANE or LOUVER button is pressed, the message "NOT AVAILABLE" may appear on the remote controller display depending on the indoor unit model, but this is not a malfunction.

7.2. Test run

Using wired remote controller (Fig. 7-1)

- ① Turn on the power at least 12 hours before the test run.
- ② Press the [TEST] button twice. ➡ "TEST RUN" liquid crystal display
- ③ Press the [Mode selection] button and switch to the cooling (or heating) mode. ➡ Make sure that cold (or warm) wind is blown out.
- ④ Press the [Fan speed] button. ➡ Make sure that the wind speed is switched.
- ⑤ Press the [Air direction button] or [Louver button]. ➡ Check operation of the vane or louver.
- ⑥ Check operation of the outdoor unit fan.
- ⑦ Release test run by pressing the [ON/OFF] button. ➡ Stop
- ⑧ Register a telephone number.

The telephone number of the repair shop, sales office, etc., to contact if an error occurs can be registered in the remote controller. The telephone number will be displayed when an error occurs. For registration procedures, refer to the operation manual for the indoor unit.

Содержание

1. Меры предосторожности.....	56	5. Дренажные трубы.....	59
2. Место установки.....	56	6. Электрические работы.....	59
3. Установка внутреннего прибора.....	56	7. Выполнение испытания (Fig. 7-1).....	61
4. Прокладка труб хладагента.....	58		

Примечание:
В этом руководстве по использованию аппарата фраза “проводной пульт дистанционного управления” относится к пульту дистанционного управления PAR-21MAA.
Сведения о других пультах дистанционного управления приводятся в руководстве по установке или руководстве по начальным настройкам, находящемся в этих коробках.

1. Меры предосторожности

► До установки прибора убедитесь, что Вы прочли все “Меры предосторожности”.
► Пожалуйста, перед подключением данного оборудования к системе электропитания, сообщите об этом своему поставщику электропитания или получите его разрешение.

⚠ Предупреждение:
Описывает меры предосторожности, необходимые для предотвращения получения травмы или гибели пользователя.

⚠ Осторожно:
Описывает меры предосторожности, необходимые для предотвращения повреждения прибора.

После окончания установочных работ проинструктируйте пользователя относительно правил эксплуатации и обслуживания аппарата, а также ознакомьте с разделом “Мера предосторожности” в соответствии с информацией, приведенной в Руководстве по использованию аппарата, и выполните тестовый прогон аппарата для того, чтобы убедиться, что он работает нормально. Обязательно передайте пользователю на хранение экземпляры Руководства по установке и Руководства по эксплуатации. Эти Руководства должны быть переданы и последующим пользователям данного прибора.

⚠ Предупреждение:

- Обратитесь к дилеру или квалифицированному технику для выполнения установки кондиционера воздуха.
- Устанавливайте прибор в месте, способном выдержать его вес.
- Используйте для проводки указанные кабели. Убедитесь, что кабели надежно соединены, а оконечные соединения не натянуты. Никогда не соединяйте кабели внахлест (если иное не указано в прилагаемой документации). Несоблюдение этих инструкций может привести к перегреву или возгоранию.
- Используйте только те дополнительные принадлежности, на которые имеется разрешение от Mitsubishi Electric; для их установки обращайтесь к дилеру или уполномоченному специалисту по установке.
- Не прикасайтесь к лопастям теплообменника.
- Устанавливайте кондиционер согласно инструкциям, приведенным в данном Руководстве по установке.
- Все электроработы должны выполняться квалифицированным электриком, имеющим соответствующую лицензию, в соответствии с местными нормативами.
- Если кондиционер установлен в небольшом помещении, необходимо принять меры для предотвращения концентрации хладагента свыше

⚠ Осторожно:

- При использовании хладагента R410A следует заменить установленные ранее трубы хладагента.
- Используйте эфирное масло или алкилбензин (в небольших количествах) в качестве охлаждающего масла для смазывания раструбных и фланцевых трубных соединений при использовании хладагента R410A.
- Не используйте кондиционер воздуха в местах содержания продуктов, домашних животных, растений, точных приборов или предметов искусства.
- Не используйте кондиционер воздуха в особых условиях.

2. Место установки

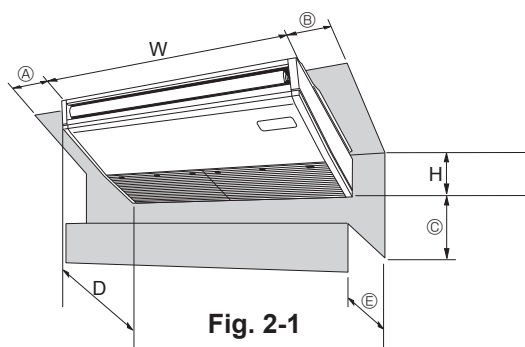


Fig. 2-1

3. Установка внутреннего прибора

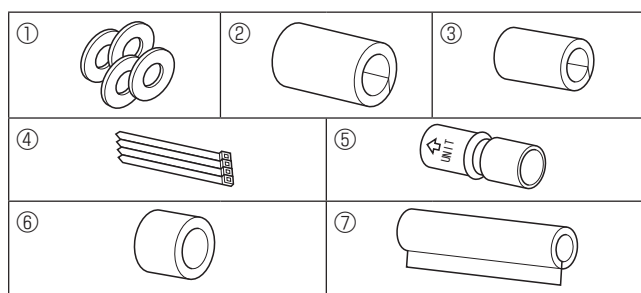


Fig. 3-1

- ⚠ : Указывает действие, которое следует избегать.
- ⚠ : Указывает на важную инструкцию.
- ⚠ : Указывает, что данная часть должна быть заземлена.
- ⚠ : Указывает на необходимость проявлять осторожность по отношению к вращающимся частям.
- ⚠ : Указывает на необходимость отключения главного выключателя перед проведением техобслуживания.
- ⚠ : Опасайтесь электрошока.
- ⚠ : Опасайтесь горячих поверхностей.
- ⚠ ELV : При проведении техобслуживания отключите электропитание как внутреннего, так и наружного прибора.

⚠ Предупреждение:
Внимательно прочтите текст на этикетках главного прибора.

- безопасных пределов в случае утечки хладагента.
- При наличии повреждения в шнуре питания его следует заменить у производителя, или его сервисного представителя, или у лица аналогичной квалификации во избежание опасной ситуации.
- Данное устройство необходимо устанавливать в соответствии с национальными правилами устройства электроустановок.
- Вырубленные грани отпрессованных деталей могут нанести травмы - порезы и т.д. Просим установщиков надевать защитную одежду, например, перчатки и т.д.
- При монтаже или перемещении, а также при обслуживании наружного прибора используйте только указанный хладагент (R410A) для заполнения трубопроводов хладагента. Не смешивайте его ни с каким другим хладагентом и не допускайте наличия воздуха в трубопроводах. Наличие воздуха в трубопроводах может вызвать скачки давления, в результате которых может произойти взрыв или другие повреждения. Использование любого хладагента, отличного от указанного для этой системы, вызовет механическое повреждение, сбой в работе системы, или выход устройства из строя. В наихудшем случае, это может послужить серьезной преградой к обеспечению безопасной работы этого изделия.

- Заземлите прибор.
- Установите прерыватель цепи, если требуется.
- Используйте сетевой кабель достаточной мощности напряжения.
- Используйте прерыватель цепи и предохранитель указанной мощности.
- Не прикасайтесь к выключателям мокрыми руками.
- Не прикасайтесь к трубам хладагента во время работы и сразу после выключения прибора.
- Не используйте кондиционер воздуха, если его панели и крышки сняты.
- Не отключайте питание немедленно после выключения прибора.

2.1. Контурные габариты (Внутренний прибор) (Fig. 2-1)

Выберите надлежащее место, с учетом наличия следующего свободного пространства для установки и проведения техобслуживания. (мм)

Модели	W	D	H	A	B	C	E
P40	960	680	230	Min. 270	Min. 300	Min. 500	Max. 250
P63	1280	680	230	Min. 270	Min. 300	Min. 500	Max. 250
P100	1600	680	230	Min. 270	Min. 300	Min. 500	Max. 250
P125	1600	680	230	Min. 270	Min. 300	Min. 500	Max. 250

⚠ Предупреждение:
Подвешивайте внутренний прибор на потолок, способный выдержать вес прибора.

2.2. Контурные габариты (Наружный прибор)

Смотрите руководство по установке наружного прибора.

3.1. Проверьте наличие дополнительных принадлежностей к внутреннему прибору (Fig. 3-1)

В комплект поставки внутреннего прибора должны входить следующие дополнительные принадлежности (находящиеся внутри впускной решетки).

№	Наименование принадлежности	Кол-во
①	Прокладка	4 шт.
②	Изоляция для труб	1 шт. Большой размер (для газового трубопровода)
③	Изоляция для труб	1 шт. Маленький размер (для жидкостного трубопровода)
④	Лента	4 шт.
⑤	Соединительная муфта	1 шт. С отметкой “UNIT”
⑥	Изоляция для муфты	1 шт.
⑦	Изоляция для дренажного трубопровода	1 шт.

3. Установка внутреннего прибора

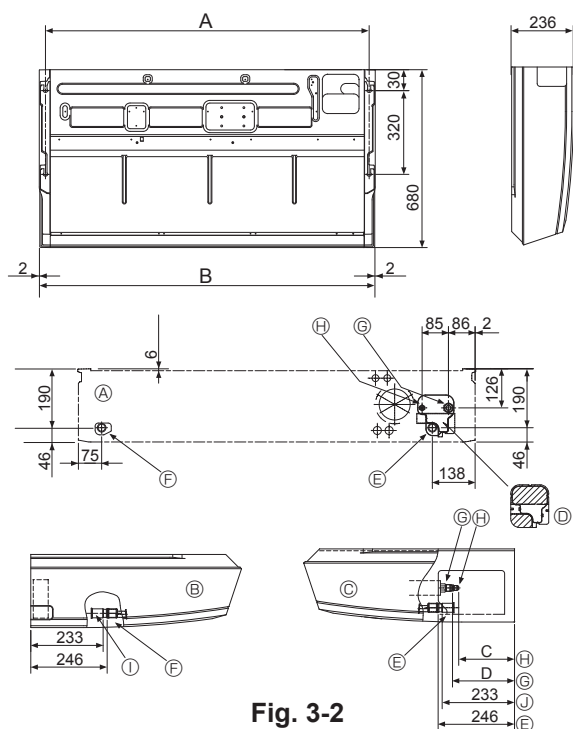


Fig. 3-2

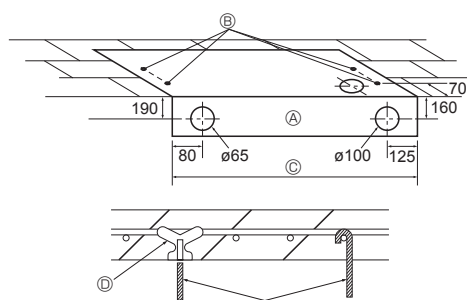


Fig. 3-3

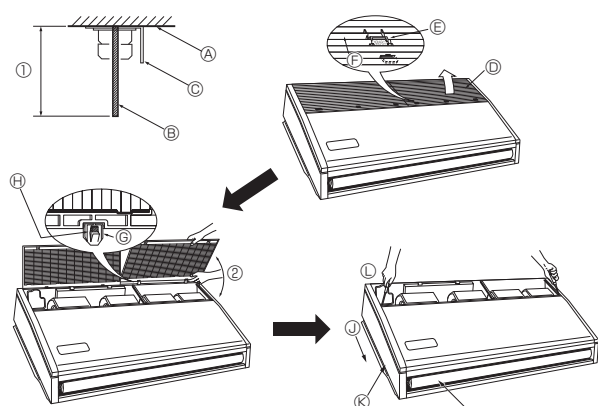


Fig. 3-4

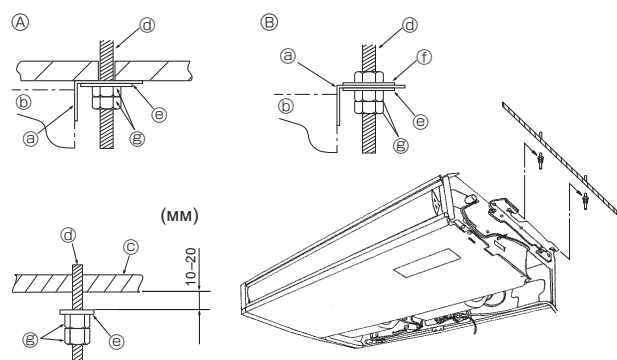


Fig. 3-5

3.2. Подготовка к установке (Fig. 3-2)

3.2.1. Расстояние между навесными болтами

Модели	A	B
P40	917	960
P63	1237	1280
P100,125	1557	1600

3.2.2. Местоположение трубопровода для хладагента и дренажа

Модели	C	D
P40	184	203
P63	180	200
P100,125	180	200

- Ⓐ Переднее боковое выходное отверстие
- Ⓑ Левое боковое выходное отверстие
- Ⓒ Правое боковое выходное отверстие
- Ⓓ Независимая деталь (Съемная)
- Ⓔ Правый дренажный трубопровод
- Ⓕ Левый дренажный трубопровод
- Ⓖ Газовый трубопровод
- Ⓗ Жидкостный трубопровод
- Ⓚ Резиновая пробка
- Ⓛ с соединительной муфтой

3.2.3. Выбор положения навесных болтов и трубопроводов (Fig. 3-3)

Используя бумажный шаблон для монтажа, выберите надлежащие места для навесных болтов и трубопроводов и подготовьте соответствующие отверстия.

- Ⓐ Бумажный шаблон
- Ⓑ Отверстие для навесного болта
- Ⓒ Ширина внутреннего прибора

Закрепите навесные болты или используйте угловые скобы или квадратные бруска для монтажа болтов.

- Ⓓ Используйте вставки с номиналом от 100 до 150 кг каждая.
- Ⓔ Используйте навесные болты размером W3/8 или M10

3.2.4. Подготовка внутреннего прибора (Fig. 3-4)

1. Установите подвесные болты (Приобретите на месте болты размера W3/8 или M10)

Предусмотрите расстояние от потолка вниз (Ⓛ в пределах 100 мм).

- Ⓐ Поверхность потолка
- Ⓑ Подвесной болт
- Ⓒ Подвесная скоба

2. Снятие воздухозаборной решетки.

Продвиньте рукоятки, удерживающие водозаборную решетку (при расположении 2 или 3) назад, чтобы открыть воздухозаборную решетку.

3. Снятие боковой панели.

Удалите винты, удерживающие боковую панель (один винт с каждой стороны, справа и слева), затем продвиньте боковую панель вперед, чтобы удалить ее.

- Ⓓ Воздухозаборная решетка
- Ⓔ Продвиньте боковую панель вперед.
- Ⓕ Рукоятка, удерживающая воздухозаборную решетку
- Ⓖ Боковая панель
- Ⓗ Направляющая
- Ⓛ Удалите винты, удерживающие боковую панель.
- Ⓜ Снимите защитный винил с заслонки
- Ⓝ Петля
- Ⓢ Нажимая на петлю, вытяните воздухозаборную решетку.
- Ⓣ Приложение силы для открытия воздухозаборной решетки или открытие ее под углом больше 120° может повредить петли.

3.3. Установка внутреннего прибора (Fig. 3-5)

Применяйте правильный метод подвешивания прибора в соответствии с тем, какой материал укреплен на потолке.

- Ⓐ Если на потолке укреплен специальный материал для закрепления прибора
- Ⓑ т.е. если на потолке не имеется специального материала
- Ⓒ Скоба для подвешивания
- Ⓓ Прибор
- Ⓔ Потолок
- Ⓕ Подвесной болт
- Ⓖ Прокладка
- Ⓗ Прокладка (приобретается на месте)
- Ⓚ Двойные гайки

1) Непосредственное подвешивание прибора (метод непосредственного подвешивания)

Порядок установки

1. Установите шайбу Ⓛ (входит в комплект поставки прибора) и гайки (приобретается на месте).
2. Навесьте прибор на подвесные болты.
3. Затяните гайки.

Проверьте, насколько хорошо подвешен прибор.

- Проверьте, что прибор находится в горизонтальном положении между его правой и левой стороной.
- Убедитесь, что передняя и задняя части навесных скоб расположены горизонтально.

(Для сохранения дренажа прибор располагается с наклоном в сторону навесных скоб. Правильным положением установки является такое, при котором прибор имеет уклон вниз от передней части к задней.)

3. Установка внутреннего прибора

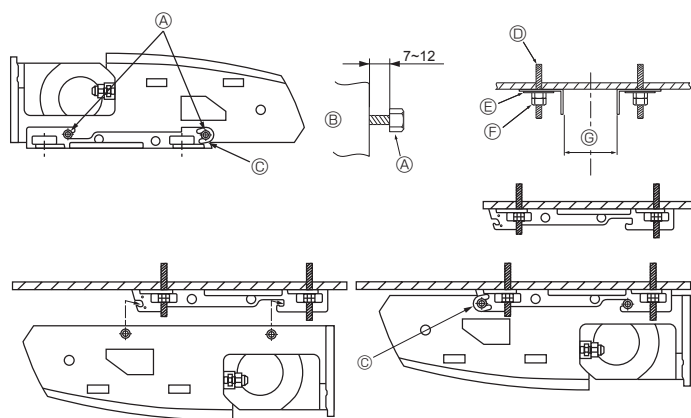


Fig. 3-6

2) Установка навесных скоб в потолок (Fig. 3-6)

Процедуры установки

1. Выньте из прибора навесные скобы и U-образные прокладки.
2. Отрегулируйте болты крепления навесных скоб на приборе.
3. Прикрепите навесные скобы к навесным болтам.
4. Убедитесь, что навесные скобы расположены горизонтально (спереди и сзади / справа и слева).
5. Наденьте (нацелите) прибор на навесные скобы.
6. Затяните Болт крепления навесных скоб.

* Обязательно установите U-образные прокладки.

- Ⓐ Болт крепления навесных скоб
- Ⓑ Прибор
- Ⓒ U-образная прокладка
- Ⓓ Подвесной болт
- Ⓔ Прокладка ①
- Ⓕ Двойные гайки

	(мм)	
Ⓒ P40	882 - 887	
P63	1202 - 1207	
P100, P125	1522 - 1527	

4. Прокладка труб хладагента

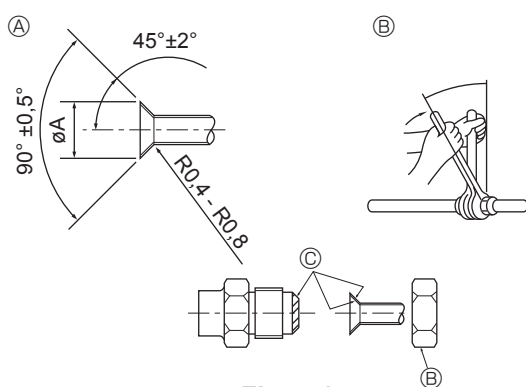


Fig. 4-1

4.1. Соединение труб (Fig. 4-1)

- При использовании медных труб, имеющих в продаже, оберните трубы для жидкости и газа имеющимися в продаже изоляционными материалами (с теплозащитой от 100 °С или выше, толщиной не менее 12 мм).
- Внутренняя часть дренажной трубы должна быть обернута в пенополиэтиленовый изолирующий материал (удельный вес 0,03; толщина 9 мм или более).
- Нанесите тонкий слой масла хладагента на контактную поверхность труб и соединений перед тем, как затягивать гайку с фланцем.
- Для затягивания трубных соединений используйте два гаечных ключа.
- Используйте прилагаемое трубное изоляционное покрытие для изоляции соединений внутреннего блока. Тщательно крепите изоляцию.

⚠ Предупреждение:

При установке прибора надежно подсоедините трубы подачи охлаждающей жидкости до запуска компрессора.

Ⓐ Раструбный стык - размеры

Copper pipe O.D. (мм)	Flare dimensions øA dimensions (мм)
ø6,35	8,7 - 9,1
ø9,52	12,8 - 13,2
ø12,7	16,2 - 16,6
ø15,88	19,3 - 19,7
ø19,05	22,9 - 23,3

Ⓑ Размеры труб хладагента и крутящий момент конусной гайки

	R410A				Гайка раструбного стыка O.D.	
	Труба для жидкости		Труба для газа		Труба для жидкости	Труба для газа
	Размер трубы (мм)	Момент затяжки (Н·м)	Размер трубы (мм)	Момент затяжки (Н·м)	(мм)	(мм)
P40	ODø6,35	14 - 18	ODø12,7	49 - 61	17	26
P63	ODø9,52	34 - 42	ODø15,88	68 - 82	22	29
P100/125	ODø9,52	34 - 42	ODø15,88	68 - 82	22	29

Ⓒ Нанесите машинное масло охлаждения на всю поверхность области присоединения муфты.

4.2. Внутренний прибор (Fig. 4-2)

Процедуры установки

1. Наденьте поставляемую в комплекте изоляцию для трубы ② на газовый трубопровод, чтобы она соприкасалась с листовым металлом внутри прибора.
2. Наденьте поставляемую в комплекте изоляцию для трубы ③ на жидкостный трубопровод, чтобы она соприкасалась с листовым металлом внутри прибора.
3. Затяните всю изоляцию трубопроводов ② и ③ с обоих концов (20 мм) с помощью входящих в комплект лент ④.

- Ⓐ Газовый трубопровод
- Ⓑ Жидкостный трубопровод
- Ⓒ Лента ④
- Ⓓ Изоляция для труб ②
- Ⓔ Изоляция для труб ③
- Ⓕ Надавите на изоляцию для труб до листового металла.
- Ⓖ Теплоизоляционный материал трубопровода для хладагента

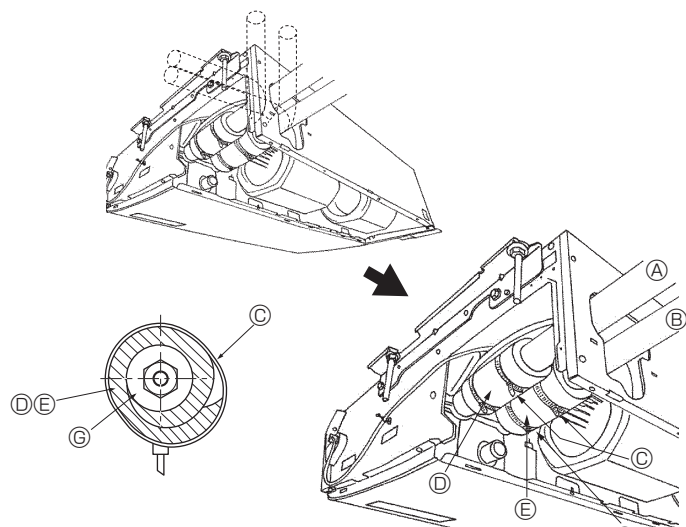


Fig. 4-2

5. Дренажные трубы

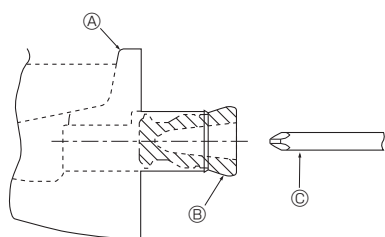


Fig. 5-1

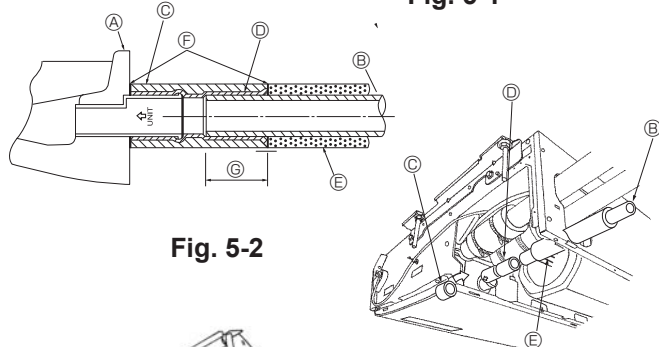


Fig. 5-2

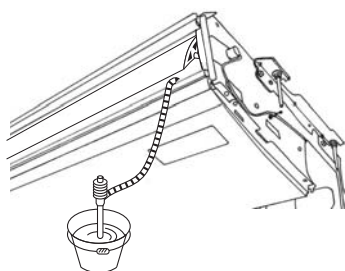


Fig. 5-3

- При установке левостороннего трубопровода обязательно вставьте резиновую пробку в правое дренажное отверстие. (Fig. 5-1)
- Используйте трубы VP20 (O.D. \varnothing 26 PVC TUBE) для дренажа, при этом обеспечьте наклон 1/100 или более.
- По завершении работы проверьте наличие дренажа из сливного отверстия дренажного трубопровода.

- Ⓐ Дренажный поддон
- Ⓑ Пробка
- Ⓒ Вставьте отвертку и т.д. глубоко в пробку.

Процедуры установки (Fig. 5-2)

1. Прикрепите соединительную муфту ⑤, входящую в комплект поставки прибора, к дренажному отверстию прибора с помощью винилхлоридного адгезива.
2. Прикрепите изоляцию для муфты ⑥, поставляемую в комплекте с прибором, к соединительной муфте ⑤.
3. Прикрепите установленный на месте дренажный трубопровод (VP-20) к соединительной муфте ⑤ с помощью винилхлоридного адгезива.
4. Оберните изоляцию дренажного трубопровода ⑦, входящую в комплект поставки прибора. (Шовная обмотка)

- Ⓐ Дренажный поддон
- Ⓑ Дренажный трубопровод
- Ⓒ Изоляция для муфты ⑥
- Ⓓ Соединительная муфта ⑤
- Ⓔ Изоляция для дренажного трубопровода ⑦
- Ⓕ Фиксатор
- Ⓖ Глубина ввода 37 мм

5. Убедитесь в правильности дренажа. (Fig. 5-3)

* Заполните дренажный поддон примерно 1 л воды через выдувное отверстие.

6. Электрические работы

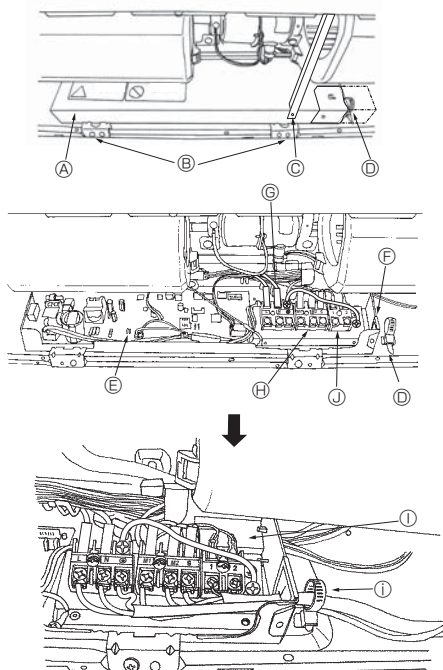


Fig. 6-1

6.1. Электропроводка (Fig. 6-1)

Порядок прокладки проводки

1. Открутите самонарезающий винт ③, а затем снимите балку.
2. Удалите (2) ② самонарезающих винта, затем удалите крышку ① электрической части.
3. Соедините электропровода надежным образом с соответствующими клеммами.
4. Установите на место снятые ранее части.
5. Соедините электропровода с клеммой местных соединений, которая расположена с правой стороны соединительной коробки.

Устройство для отключения питания с помощью разъединителя или подобного ему устройства во всех активных проводниках будет встроено в стационарную проводку.

* Прикрепите этикетку к каждому прерывателю в соответствии с его назначением (нагреватель, прибор и т.д.)

- Ⓐ Крышка
- Ⓑ Установочные винты (2 шт.)
- Ⓒ Установочные винты (Балка)
- Ⓓ Зажим для провода
- Ⓔ Панель управления
- Ⓕ Вход для обслуживания проводов
- Ⓖ Контактная колодка электропитания
- Ⓗ Контактная колодка передающего кабеля
- Ⓘ Адресная панель
- Ⓚ Контактная колодка для устройства дистанционного управления MA
- Ⓛ Закрепите провода хомутом.

6.2. Электропроводка для подвода питания

- Диаметр проводов должен соответствовать применимым местным и национальным нормам.
 - Кабель заземления должен быть длиннее, чем остальные кабели.
 - Коды для электропитания прибора должны быть не меньше, чем по дизайну 60245 IEC 53 или 60227 IEC 53.
 - При установке кондиционера воздуха необходимо обеспечить выключатель с расстоянием между контактом и каждым полюсом минимум 3 мм.
- Размер кабеля электропитания: более чем 1,5 мм². (3-жильный)

⚠ Предупреждение:

Никогда не подсоединяйте внахлест силовой кабель или соединительный кабель внешнего питания. Это может привести к задымлению, возгоранию или неисправности.

► Используйте выключатель тока утечки на землю (NV).

Для отключения всех активных фазовых проводов электропитания необходимо установить прерыватель.

6. Электрические работы

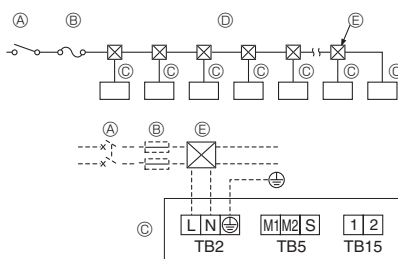


Fig. 6-2

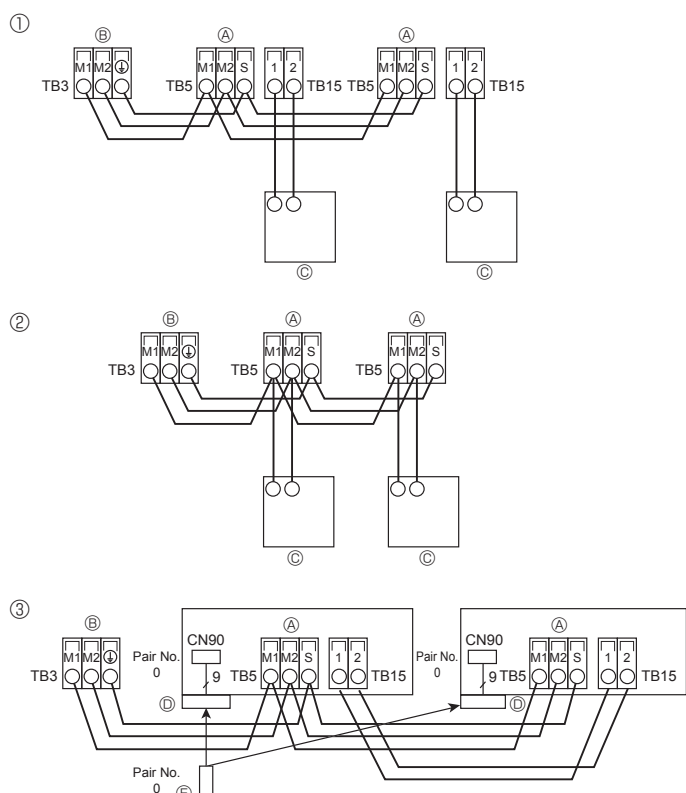


Fig. 6-3

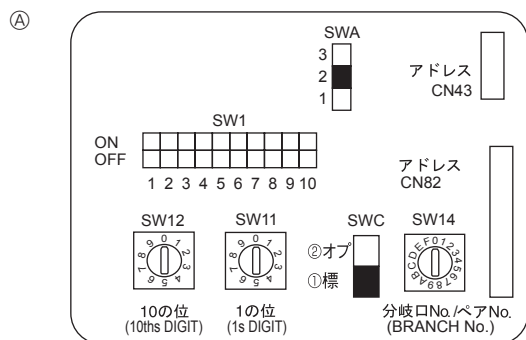


Fig. 6-4

[Fig.6-2]

- Ⓐ Выключатель 16 А
- Ⓑ Защита от перегрузок по току 16 А
- Ⓒ Внутренний прибор
- Ⓓ Общий рабочий ток должен быть не более 16 А
- Ⓔ Выдвижной ящик

6.3. Типы кабелей управления

1. Проводка кабелей передачи

Типы кабелей передачи	Экранированный провод CVVS или CPEVS
Диаметр кабеля	Свыше 1,25 мм ²
Длина	Менее 200 м

2. Кабели дистанционного управления "M-NET"

Тип кабеля дистанционного управления	Экранированный провод MVVS
Диаметр кабеля	0,5 – 1,25 мм ²
Длина	Добавляется любой отрезок свыше 10 м в пределах самого длинного допустимого кабеля передачи длиной 200 м.

3. Кабели дистанционного управления "MA"

Тип кабеля дистанционного управления	2-жильный кабель (неэкранированный)
Диаметр кабеля	0,3 – 1,25 мм ²
Длина	Менее 200 м

6.4. Подсоединение пульта дистанционного управления, кабелей передачи внутри и снаружи (Fig. 6-3)

- Подсоедините внутренний прибор TB5 к внешнему прибору TB3 (неполяризованный двухжильный провод). "S" на внутреннем приборе TB5 - это соединение экранированного провода. Технические условия соединения кабелей указаны в руководстве по установке наружного прибора.
- Установите пульт дистанционного управления, следуя инструкциям, приведенным в поставленном вместе с ним руководстве.
- Подсоедините кабель передачи пульта дистанционного управления в пределах 10 м с помощью 0,75 мм². Если расстояние превышает 10 м, используйте для соединения кабель 1,25 мм².
- ① Пульт дистанционного управления "MA"
- Подсоедините "1" и "2" на TB15 внутреннего блока кондиционера к Пульту дистанционного управления "MA". (Неполяризованный 2-жильный кабель)
- Между 1 и 2 постоянный ток 9 - 13 В (Пульт дистанционного управления "MA")
- ② Пульт дистанционного управления "M-NET"
- Подсоедините "M1" и "M2" на TB5 внутреннего блока кондиционера к Пульту дистанционного управления "M-NET". (Неполяризованный 2-жильный кабель)
- Между M1 и M2 постоянный ток 24 - 30 В (Пульт дистанционного управления "M-NET")
- ③ Беспроводной пульт дистанционного управления (при установке беспроводного ресивера сигналов)
- Подсоедините провод беспроводной ресивера сигналов (9-полюсный кабель) к CN90 платы контроллера внутреннего прибора.
- При управлении более чем двумя приборами от одного пульта дистанционного управления подсоедините каждую пару TB15 к проводу с тем же номером.
- Порядок изменения настроек номера пары приведен в Руководстве по установке, поставляемому с беспроводным пультом дистанционного управления. (По умолчанию в настройках внутреннего прибора и беспроводного пульта дистанционного управления номер пары установлен на 0).
- Ⓐ Блок выводов для внутреннего кабеля передачи
- Ⓑ Блок выводов для внешнего кабеля передачи (M1(A), M2(B), ⊕(S))
- Ⓒ Пульт дистанционного управления
- Ⓓ беспроводной ресивер сигналов
- Ⓔ беспроводной пульт дистанционного управления

6.5. Установка адресов (Fig. 6-4)

- (Убедитесь, что при выполнении этой работы подача электроэнергии отключена.)
- Имеются два способа установки поворотного переключателя: установка адресов от 1 до 9 и свыше 10, и установка номеров ветвей.

① Установка адресов

Пример: Если адрес "3", оставьте SW12 (для свыше 10) на "0" и сопоставьте SW11 (для 1 – 9) с "3".

② Как установить номера отделений SW14 (Только для серии R2)

Номер ветвей, присвоенный каждому внутреннему прибору представляет собой номер порта контроллера двоичного кода, которому подключен внутренний прибор. Оставьте значение "0" на установках, отличных от серии R2.

- Все поворотные переключатели настраиваются на заводе на "0". Эти переключатели могут использоваться для задания адресов и номеров ответвлений труб по желанию.
- Определение адресов внутреннего прибора меняется при нахождении системы на сборочной площадке. Установите их с помощью справочника.

Ⓐ Адресный щит

6. Электрические работы

6.6. Установка переключателей для различной высоты потолка (Fig.6-4)

Данный прибор позволяет регулировать скорость воздушного потока и скорость работы вентилятора с помощью переключателя SWA (ползунковый переключатель). В таблице ниже выберите соответствующие параметры установки, в соответствии с местоположением прибора.

* Убедитесь, что переключатель SWA установлен, иначе могут возникнуть проблемы с охлаждением/обогревом.

SWA	3 (выс. потолок)	2 (станд.)	1 (по умолчанию)
P40, P63	3,5 m	2,7 m	2,5 m
P100, P125	4,2 m	3,0 m	2,6 m

SWA: Установка изготовителя: 2 (стандартная)

7. Выполнение испытания (Fig. 7-1)

7.1. Перед пробным прогоном

- ▶ После завершения установки, прокладки труб и электропроводки внутреннего и наружного приборов проверьте отсутствие утечки хладагента, слабых соединений кабеля питания или проводов управления и неправильной полярности, а также убедитесь, что все фазы питания подключены.
- ▶ Измерьте сопротивление между терминалами источника электропитания и заземлением с использованием 500-вольтного меггера и убедитесь, что сопротивление составляет не менее 1,0 МΩ.

6.7. Определение температуры в помещении встроенным датчиком пульта дистанционного управления (Fig.6-4)

Если Вы желаете определять температуру в помещении с помощью датчика, встроенного в пульт дистанционного управления, установите SW1-1 на щите управления в положение "ВКЛ". При необходимости установка SW1-7 и SW1-8 также дает возможность для регулирования потока воздуха в то время, когда термометр показаний нагрева ОТКЛЮЧЕН.

- ▶ аппрещается выполнять этот замер на терминалах проводах управления (цепь низкого напряжения).

⚠ Предупреждение:

е пользуйтесь кондиционером воздуха, если сопротивление изоляции ниже 1,0 МΩ.

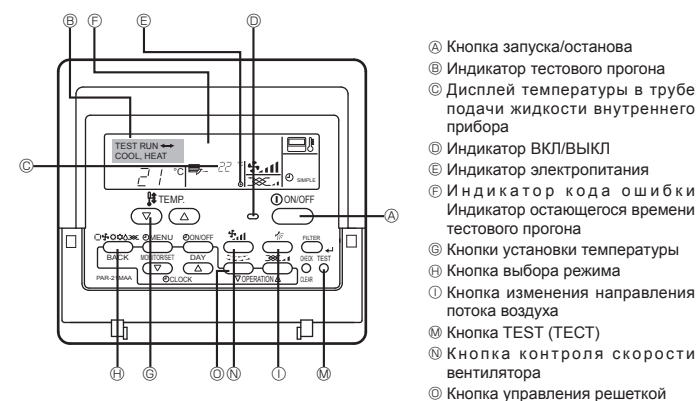


Fig. 7-1

7.2. Выполнение испытания

Использование проводного пульта дистанционного управления (Fig. 7-1)

- 1 Включите питание по крайней мере за 12 часов до начала пробного прогона.
- 2 Дважды нажмите кнопку [TEST]. ➡ "TEST RUN" на ЖК-дисплее
- 3 Нажмите кнопку [Mode selection] (Выбор режима) и переключитесь на режим охлаждения (или обогрева). ➡ Убедитесь в том, что выдувается холодный (или теплый) воздух.
- 4 Нажмите кнопку [Fan speed] (Скорость воздушного потока). ➡ Убедитесь в том, что скорость воздушного потока переключилась.
- 5 Нажмите кнопку изменения направления потока воздуха или кнопку управления решеткой.
➡ Проверьте работоспособность заслонки.
- 6 Проверьте работу вентилятора наружного прибора.
- 7 Выключите пробный прогон нажатием кнопки [ON/OFF]. ➡ Стоп
- 8 Введите телефонный номер.

Телефонный номер ремонтной мастерской, отдела продаж и т.д., по которому можно связаться при появлении ошибки, необходимо записать в пульт дистанционного управления. Телефонный номер отобразится при возникновении ошибки. Процедуры ввода приводятся в руководстве по эксплуатации внутреннего прибора.

Примечание:

- При отображении кода ошибки на дисплее пульта дистанционного управления или сбоях в работе кондиционера справьтесь с Руководством по установке наружного прибора или с другими техническими документами.
- При выборе параметра OFF таймера пробный прогон будет автоматически отключен через 2 часа.
- Во время пробного прогона оставшееся время отображается на дисплее.
- Во время пробного прогона температура в трубах охлаждения внутреннего прибора отображается на дисплее комнатной температуры пульта дистанционного управления.
- В зависимости от модели внутреннего прибора при нажатии на кнопку VANE или кнопку LOUVER на дисплее пульта дистанционного управления может появиться сообщение «NOT AVAILABLE» (НЕ ДОСТУПНО), что не является признаком неисправности.

This product is designed and intended for use in the residential,
commercial and light-industrial environment.

Importer:

Mitsubishi Electric Europe B.V.
Capronilaan 46, 1119 NS, Schiphol Rijk, The Netherlands

French Branch
25, Boulevard des Bouvets, 92741 Nanterre Cedex, France

German Branch
Mitsubishi-Electric-Platz 1, 40882 Ratingen, Germany

Belgian Branch
Autobaan 2, 8210 Loppem, Belgium

Irish Branch
Westgate Business Park, Ballymount, Dublin 24, Ireland

Italian Branch
Centro Direzionale Colleoni, Palazzo Sirio-Ingresso 1 Viale Colleoni 7, 20864 Agrate Brianza
(MB), Italy

Norwegian Branch
Gneisveien 2D, 1914 Ytre Enebakk, Norway

Portuguese Branch
Avda. do Forte, 10, 2799-514, Carnaxide, Lisbon, Portugal

Spanish Branch
Carretera de Rubi 76-80 - Apdo. 420 08173 Sant Cugat del Valles (Barcelona), Spain

Scandinavian Branch
Hammarbacken 14, P.O. Box 750 SE-19127, Sollentuna, Sweden

UK Branch
Travellers Lane, Hatfield, Herts., AL10 8XB, England, U.K.

Polish Branch
Krakowska 50, PL-32-083 Balice, Poland

MITSUBISHI ELECTRIC TURKEY ELEKTRİK ÜRÜNLERİ A.Ş.
Şerifali Mah. Kale Sok. No: 41 34775 Ümraniye, İstanbul / Turkey

MITSUBISHI ELECTRIC (RUSSIA) LLC
52, bld.1 Kosmodamianskaya Nab. 115054, Moscow, Russia

Please be sure to put the contact address/telephone number on
this manual before handing it to the customer.